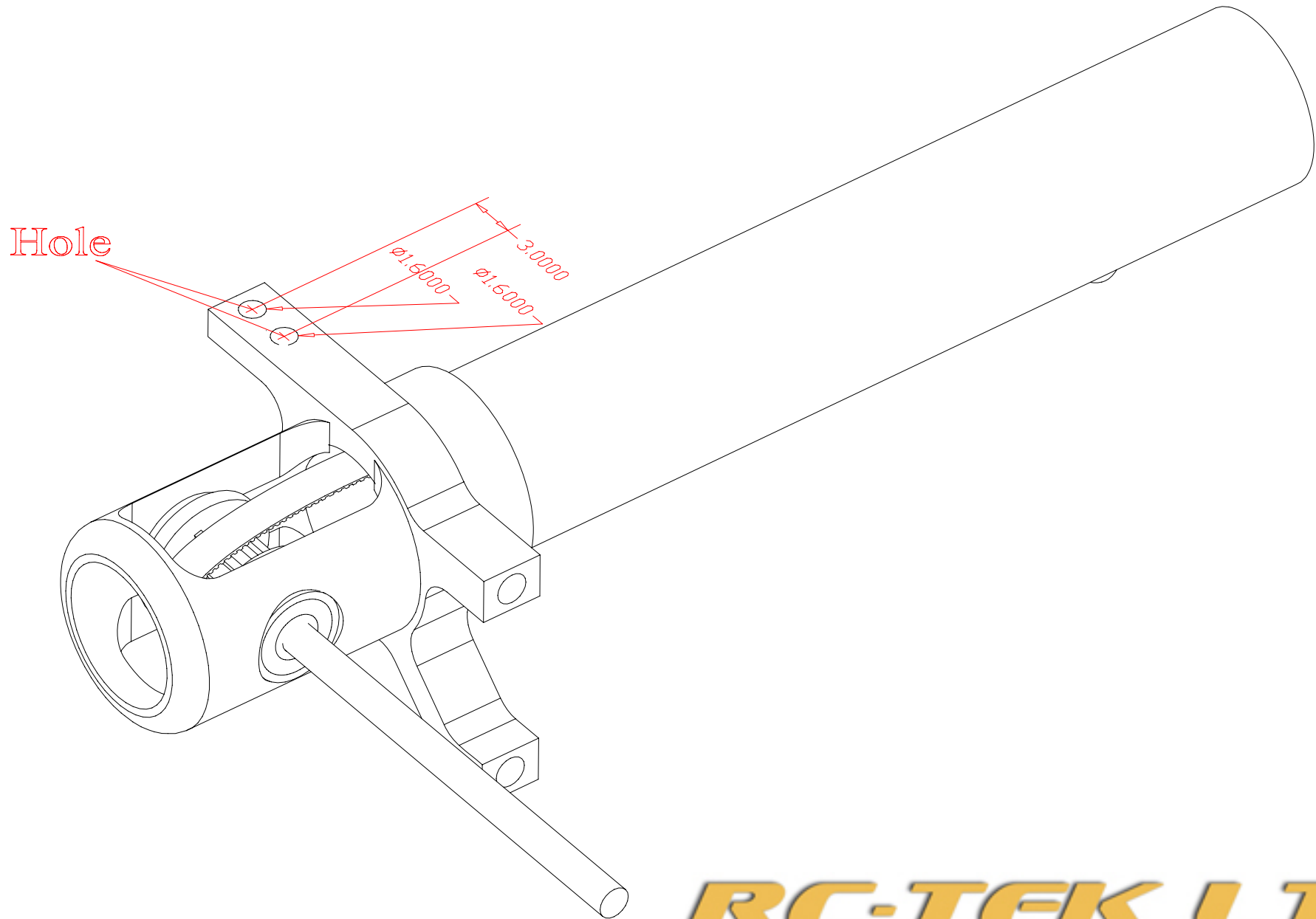


UPGRADED TAIL PARTS ASSEMBLY DRAWING

1



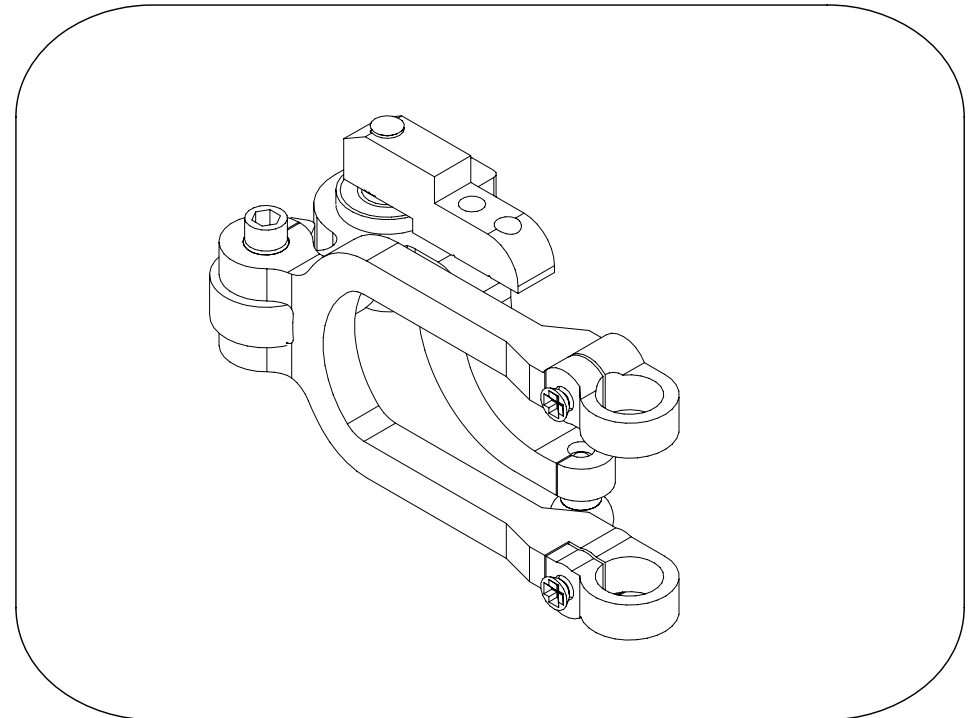
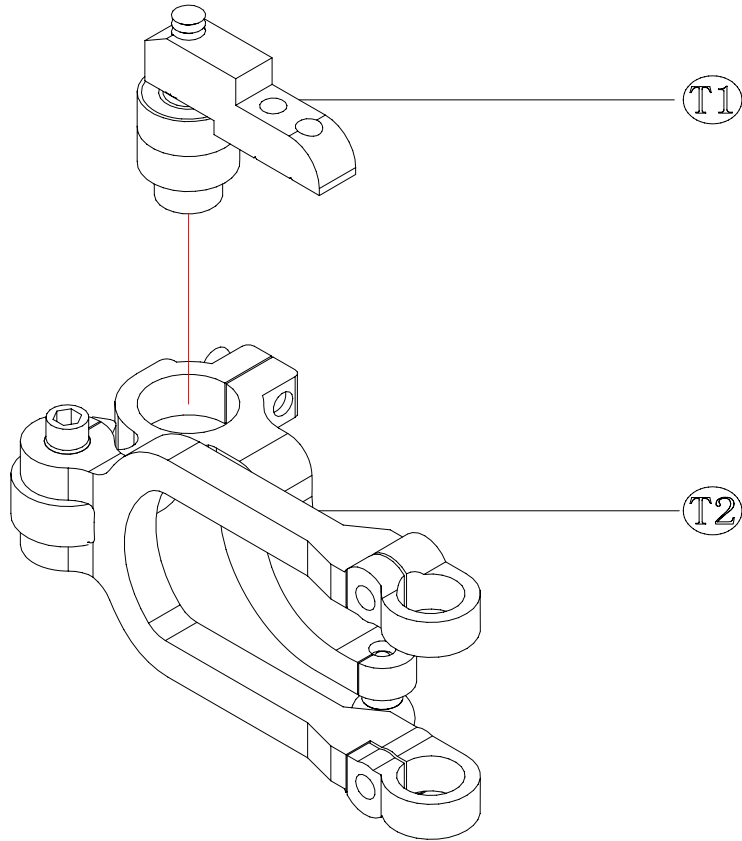
RC-TEK LTD.

www.rc-tek.com

UPGRADED TAIL PARTS ASSEMBLY DRAWING

2

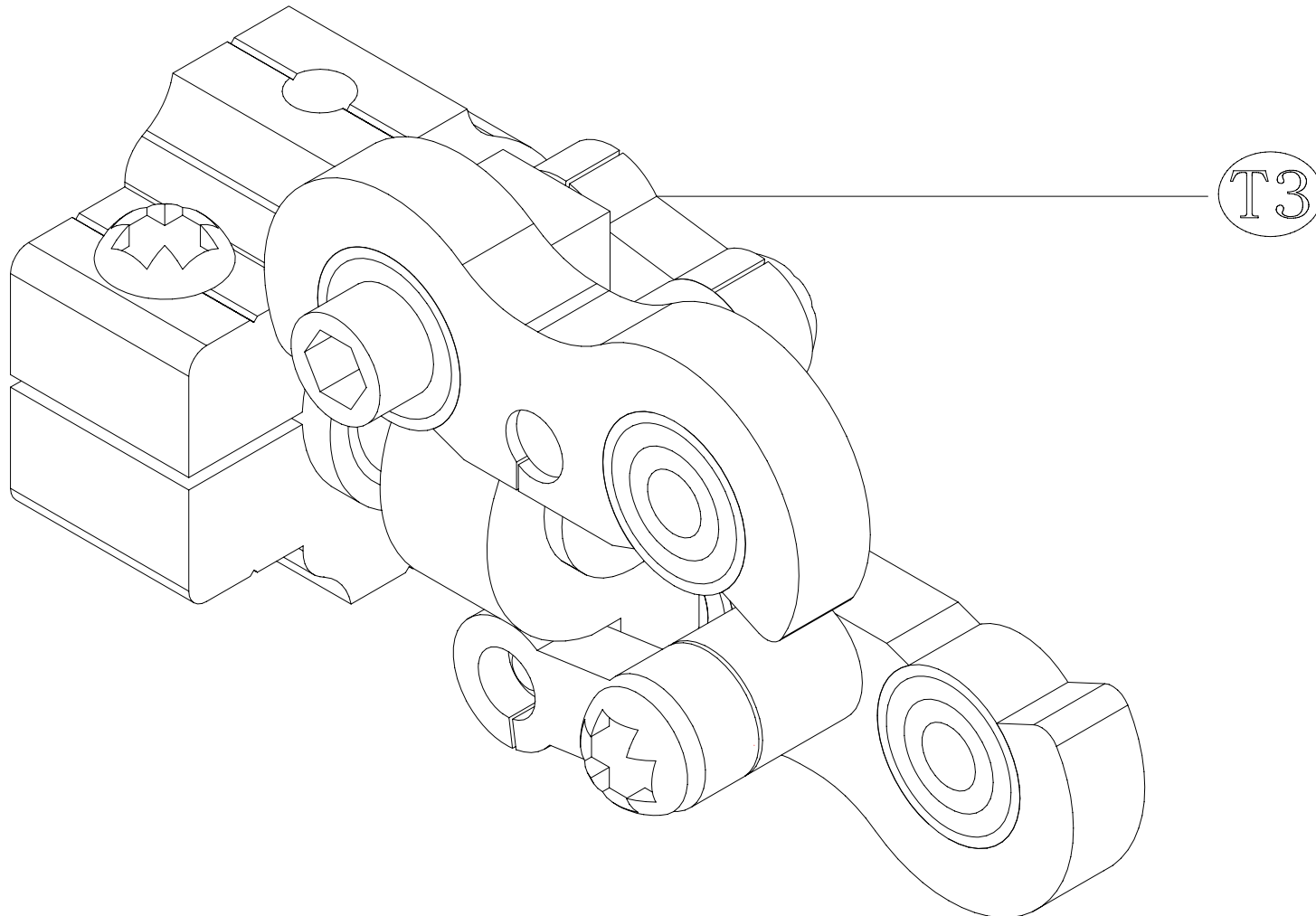
NO.	Part NO.	Discription	Q' TY	Specification	NO.	Part NO.	Discription	Q' TY	Specification
T1	TUP002	Adjustable tail angle stand	1		T2	TUP002	Adjustable tail angle set	1	



UPGRADED TAIL PARTS ASSEMBLY DRAWING

3

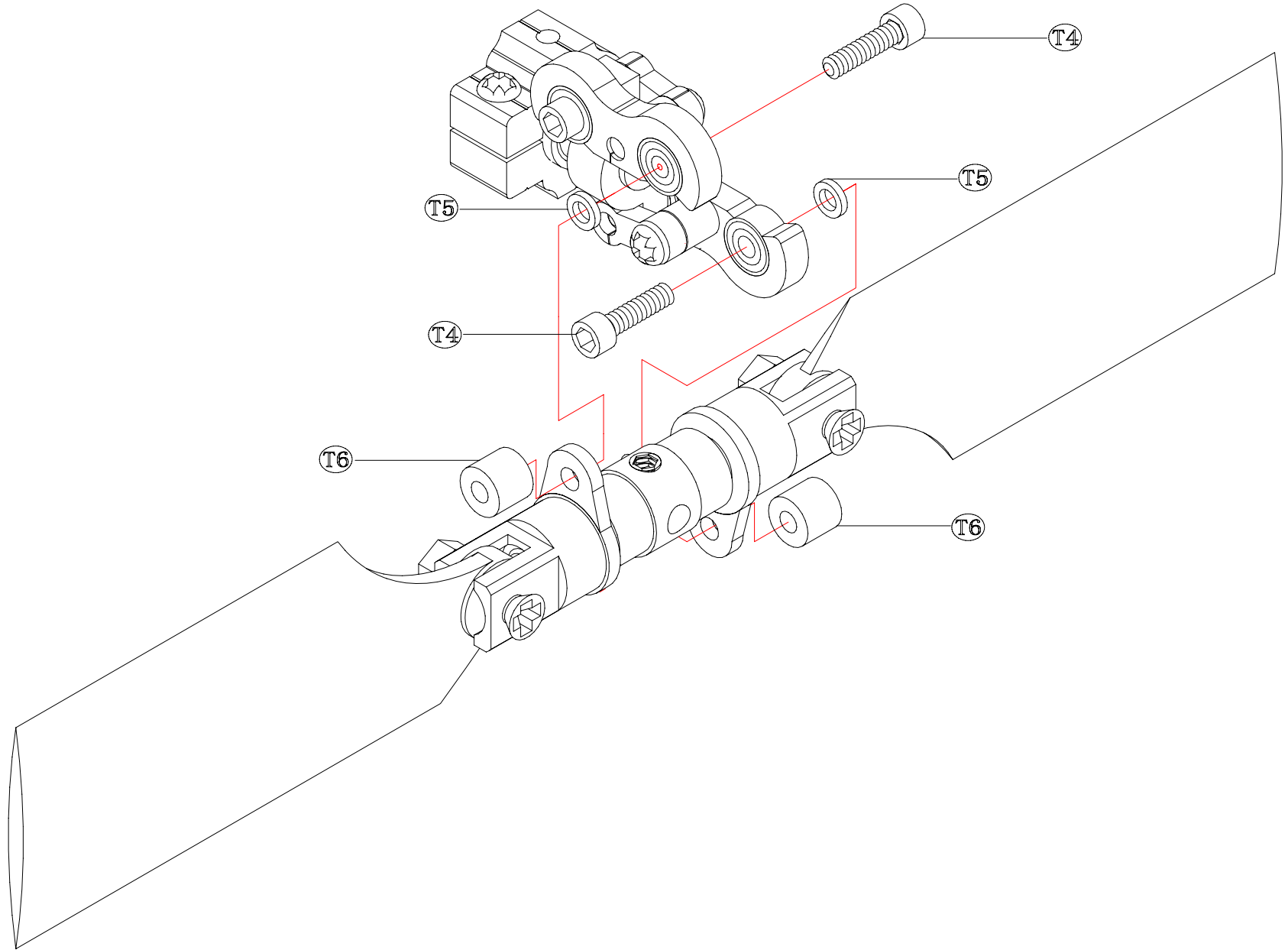
NO.	Part NO.	Discription	Q' TY	Specification
T3	TUP002	Sliding set	1	



UPGRADED TAIL PARTS ASSEMBLY DRAWING

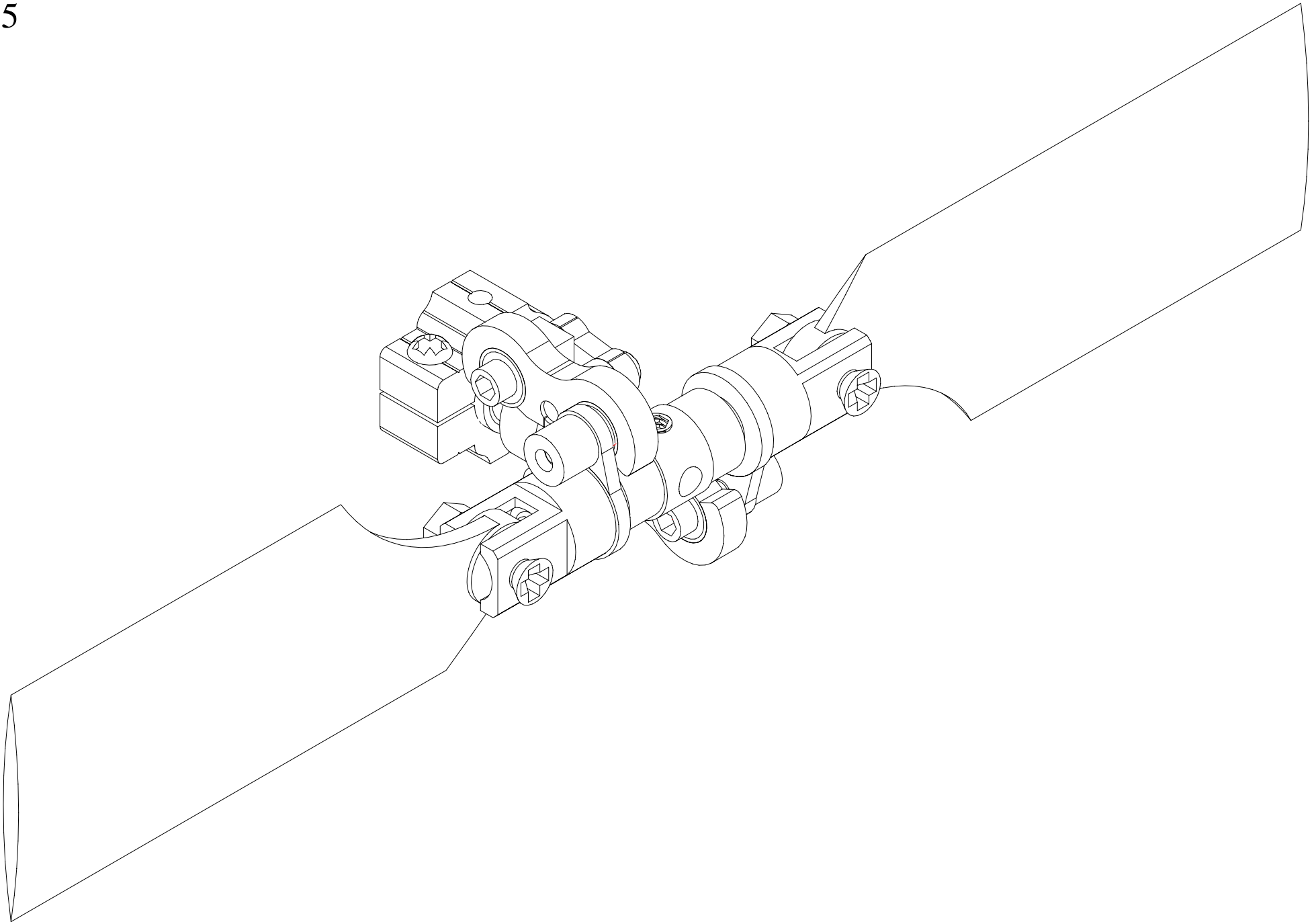
4

NO.	Part NO.	Discription	Q' TY	Specification	NO.	Part NO.	Discription	Q' TY	Specification
T4	SJ20002	Cap screw	2	M1.5×7mm	T6	AL2042	Nut	2	M1.5×3.5×3
T5	AL2024	Underlay	2	Ø1.5×Ø2.5×0.5mm					



UPGRADED TAIL PARTS ASSEMBLY DRAWING

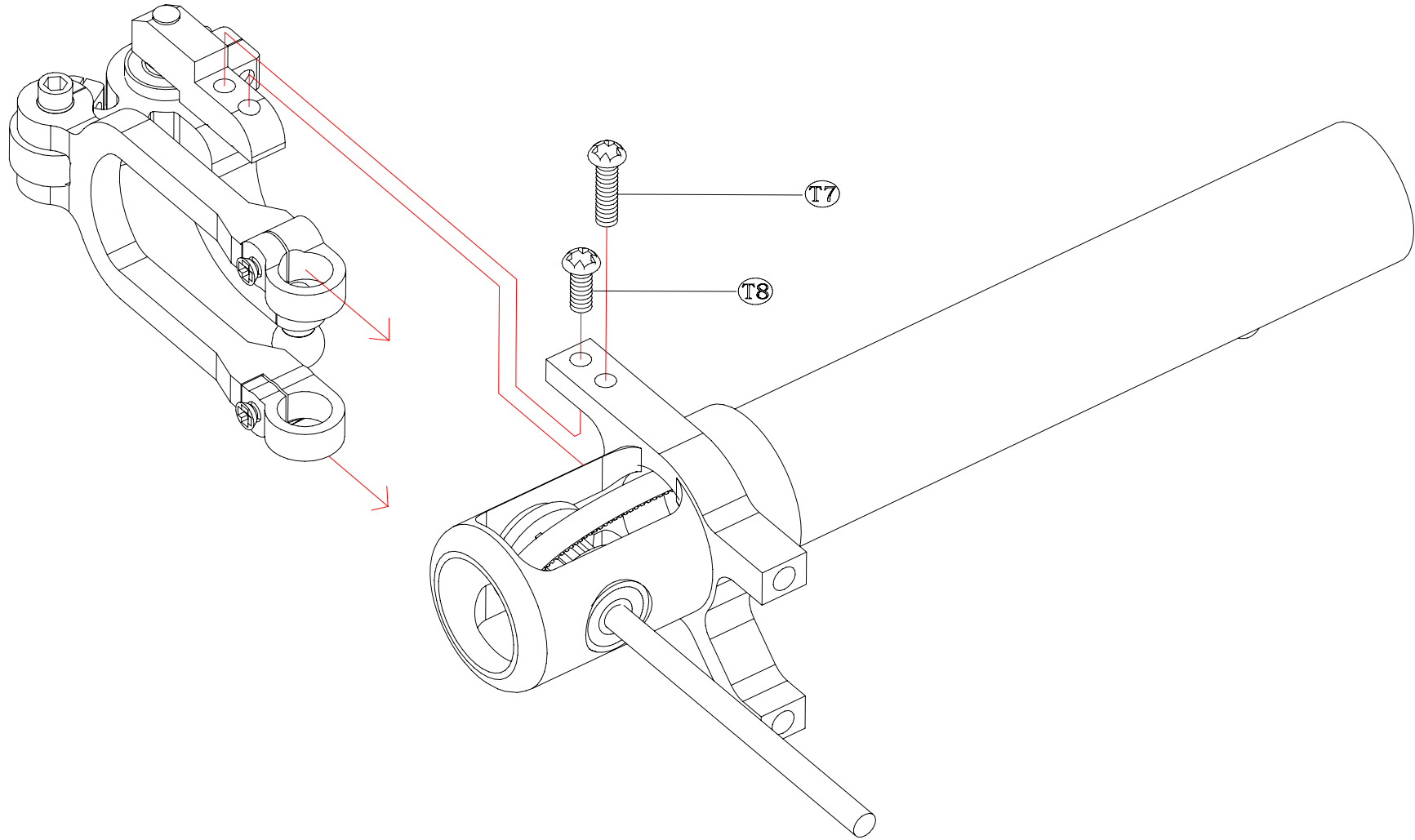
5



UPGRADED TAIL PARTS ASSEMBLY DRAWING

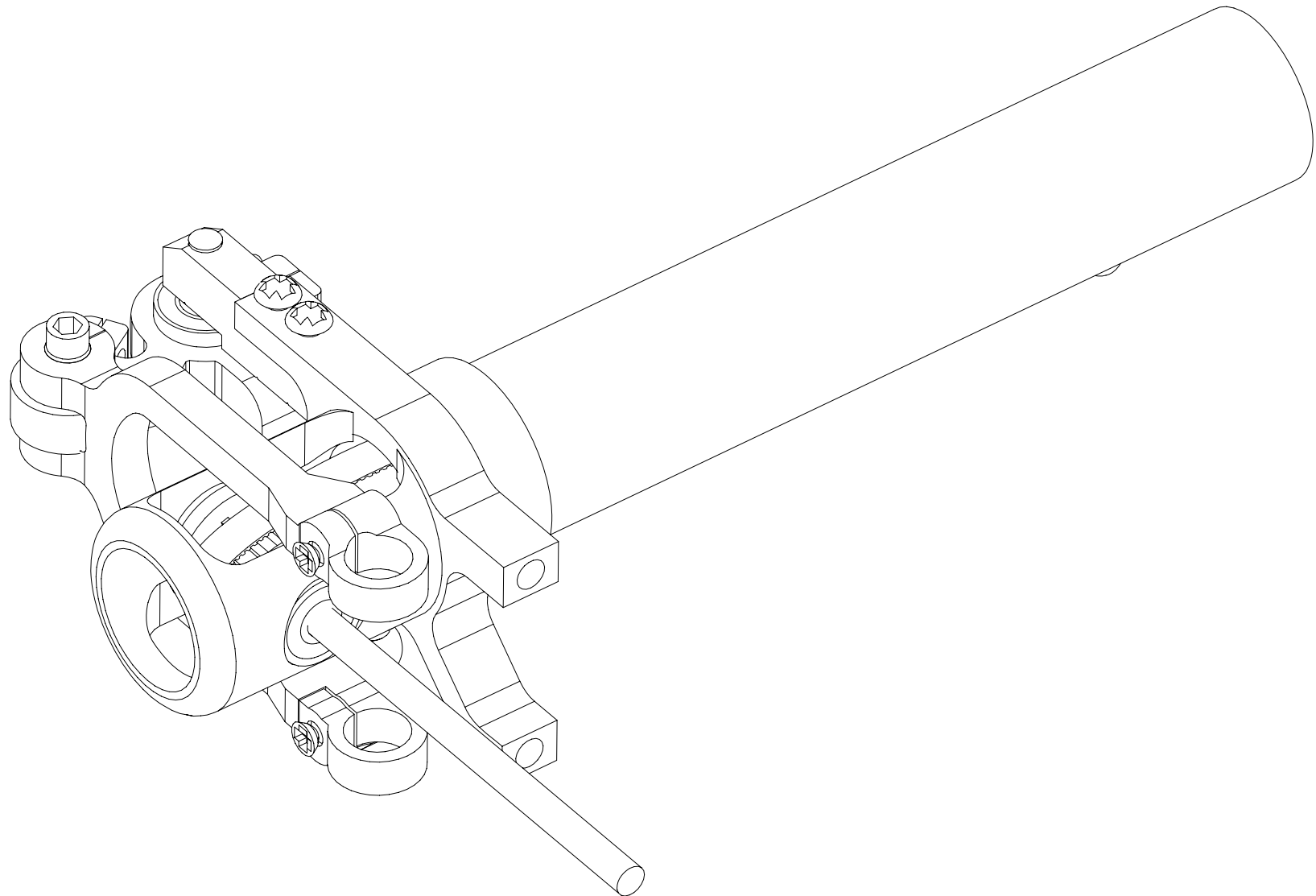
6

NO.	Part NO.	Discription	Q' TY	Specification	NO.	Part NO.	Discription	Q' TY	Specification
T7	SJ40001	Round head screw	1	M1.6×6	T8	SJ40002	Round head screw	1	M1.6×4



UPGRADED TAIL PARTS ASSEMBLY DRAWING

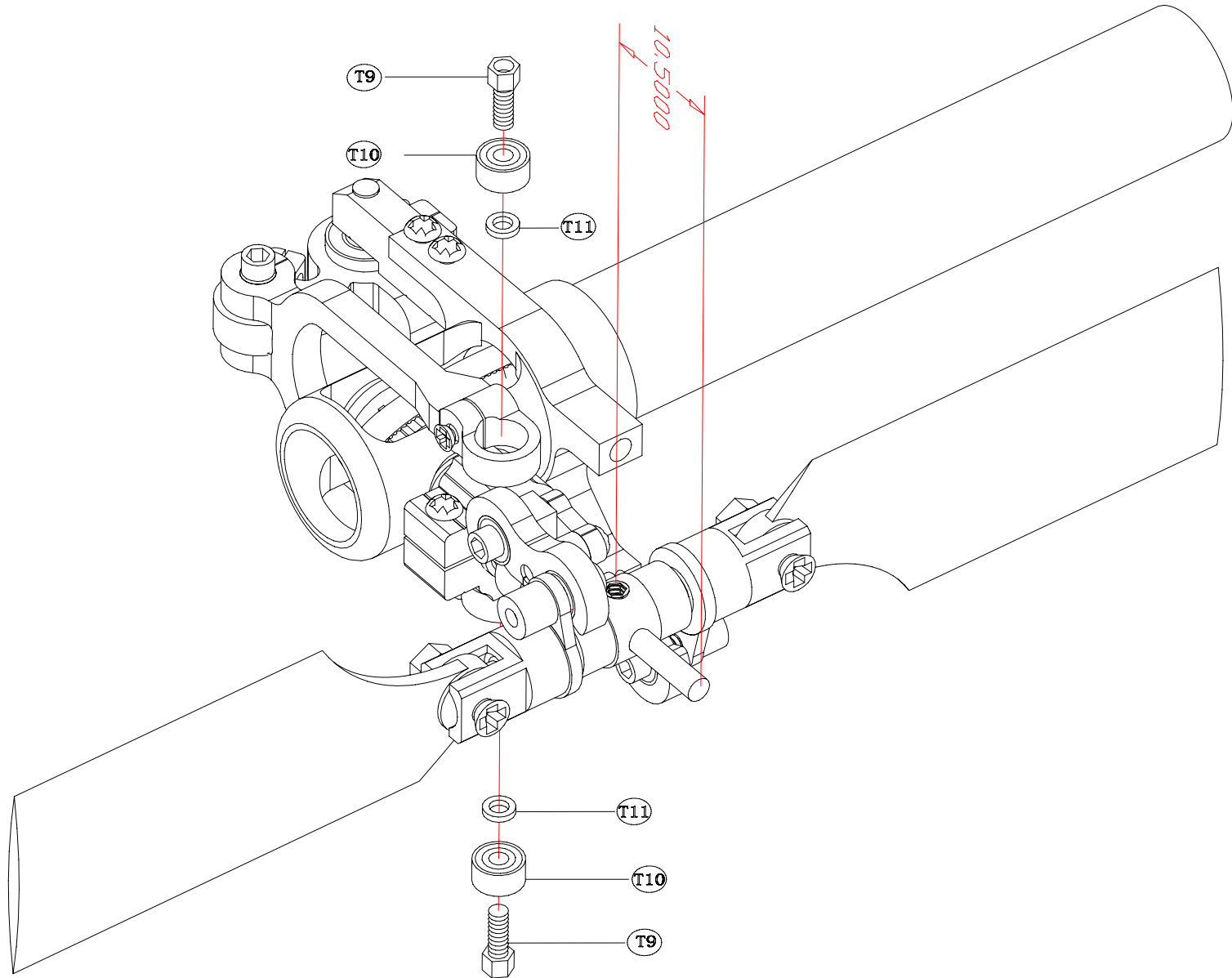
7



UPGRADED TAIL PARTS ASSEMBLY DRAWING

8

NO.	Part NO.	Discription	Q' TY	Specification	NO.	Part NO.	Discription	Q' TY	Specification
T9	SJ20001	Cap screw	2	M1.5×4mm	T11	AL2024	Underlay	2	Ø1.5×Ø2.5×0.5mm
T10	SJ10007	Bearing	2	Ø1.5×Ø4×2mm					



UPGRADED TAIL PARTS ASSEMBLY DRAWING

9

NO.	Part NO.	Discription	Q' TY	Specification	NO.	Part NO.	Discription	Q' TY	Specification
T12	AL2043	Connecting rod rest	1		T13	SJ40002	Round head screw	1	M1.6×4

